



H48 FILTER DRIER SHELLS



Filters

H48/F

H48/C

Deep Drawn



Product introduction ;

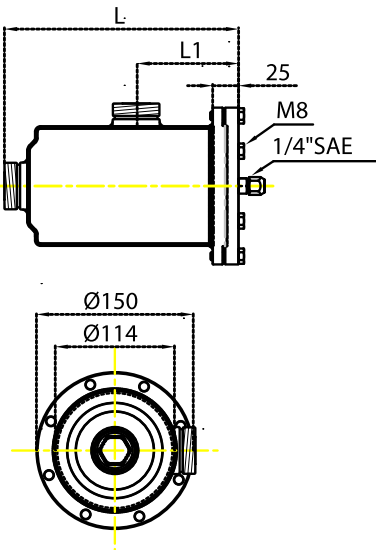
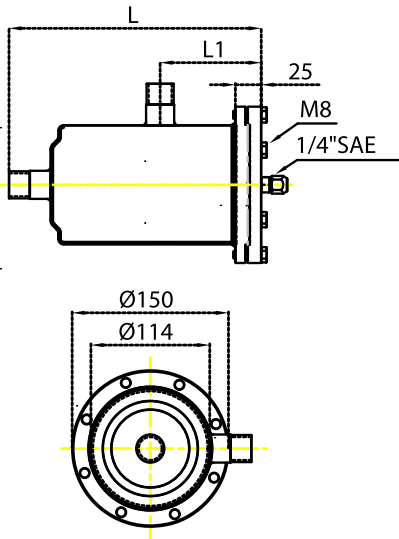
H48 filter drier shells are used to eliminate moisture, acids and dirt in the system and prevent a probable breakdown these may cause. They are placed between the condenser and the compressor in the refrigeration units. Their active parts can be changed when necessary.

It is easily cleaned and controlled thanks to its removable flange.

During installation make sure that the seal is fastened up firmly into the socket before fixing the flange connection. Fix the bolts by screwing evenly.

H48 filter drier shells are produced in accordance with the 97/23/EC directive.

Technical Data



Model	Dimensions			Connection Sizes Inlet / Outlet (Inch)	CE	
	Da (mm)	L (mm)	L1 (mm)		PED 32 Bar	97/23/EC 45 Bar
H48 Single Filter Drier Shells						
SFDS/A-12	Ø114	232	90	1/2" ODS	CAT I A1	CAT I A1
SFDS/A-16				5/8" ODS		
SFDS/A-19				3/4" ODS		
SFDS/A-22		7/8" ODS				
SFDS/A-28		240		1 1/8" ODS		
SFDS/A-35		245		1 3/8" ODS		
SFDS/A-42		250		1 5/8" ODS		
SFDS/A-54		250		2 1/8" ODS		
SFDS/A-66		270		2 5/8" ODS		
SFDS/A-80		270		3 1/8" ODS		
H48 Double Filter Drier Shells						
DFDS/A-22	Ø114	395	125	7/8" ODS	CAT I A1	CAT I A1
DFDS/A-28				1 1/8" ODS		
DFDS/A-35		1 3/8" ODS				
DFDS/A-42		400		1 5/8" ODS		
DFDS/A-54		405		2 1/8" ODS		
DFDS/A-66		425		2 5/8" ODS		
DFDS/A-80		425		3 1/8" ODS		
H48 Triple Filter Drier Shells						
TFDS/A-28	Ø114	520	130	1 1/8" ODS	CAT I A1	CAT I A1
TFDS/A-35				1 3/8" ODS		
TFDS/A-42		525		1 5/8" ODS		
TFDS/A-54		530		2 1/8" ODS		
TFDS/A-66		550		2 5/8" ODS		
TFDS/A-80		550		3 1/8" ODS		
H48 Quadruple Filter Drier Shells						
FFDS/A-35	Ø114	655	130	1 1/8" ODS	CAT II A1	CAT II A1
FFDS/A-42				660		
FFDS/A-54		665		2 1/8" ODS		
FFDS/A-66		685		2 5/8" ODS		
FFDS/A-80		685		3 1/8" ODS		

With Rotalock Valve Connection

H48 Single Filter Drier Shells						
SFDS/A-RV-1"	Ø114	219	90	Rot.1"	CAT I A1	CAT I A1
SFDS/A-RV-1 1/4"		220		Rot.1 1/4"		
SFDS/A-RV-1 3/4"		227		Rot.1 3/4"		
SFDS/A-2 1/4"		230		Rot.2 1/4"		
H48 Double Filter Drier Shells						
DFDS/A-RV-1 1/4"	Ø114	380	125	Rot.1 1/4"	CAT I A1	CAT I A1
DFDS/A-RV-1 3/4"		387		Rot.1 3/4"		
DFDS/A-RV-2 1/4"		390		Rot.2 1/4"		
H48 Triple Filter Drier Shells						
TFDS/A-RV-1 3/4"	Ø114	512	130	Rot.1 3/4"	CAT I A1	CAT II A1
TFDS/A-RV-2 1/4"		515		Rot.2 1/4"		
H48 Quadruple Filter Drier Shells						
FFDS/A-RV-1 3/4"	Ø114	647	130	Rot.1 3/4"	CAT II A1	CAT I A1
FFDS/A-RV-2 1/4"		650		Rot.2 1/4"		

H48 FILTER DRIER SHELLS



Model	Dimensions			Connection Sizes Inlet / Outlet (Inch)	CE	
	Da (mm)	L (mm)	L1 (mm)		PED 32 Bar	97/23/EC 45 Bar
H48 Single Filter Drier Shells						
SFDS-12	Ø114	232	90	1/2" ODS	CAT I A1	Not Available
SFDS-16				5/8" ODS		
SFDS-19				3/4" ODS		
SFDS-22				7/8" ODS		
SFDS-28				1 1/8" ODS		
SFDS-35				1 3/8" ODS		
SFDS-42				1 5/8" ODS		
SFDS-54				2 1/8" ODS		
SFDS-66				2 5/8" ODS		
SFDS-80				3 1/8" ODS		
H48 Double Filter Drier Shells						
DFDS-22	Ø114	395	125	7/8" ODS	CAT I A1	Not Available
DFDS-28				1 1/8" ODS		
DFDS-35				1 3/8" ODS		
DFDS-42				1 5/8" ODS		
DFDS-54				2 1/8" ODS		
DFDS-66				2 5/8" ODS		
DFDS-80				3 1/8" ODS		

With Rotalock Valve Connection

H48 Single Filter Drier Shells						
SFDS-RV-1"	Ø114	224	335	Rot. 1"	CAT I A1	Not Available
SFDS-RV-1 1/4"				Rot. 1 1/4"		
SFDS-RV-1 3/4"				Rot. 1 3/4"		
SFDSRV-2 1/4"				Rot. 2 1/4"		
H48 Double Filter Drier Shells						
DFDS-RV-1 1/4"	Ø114	380	335	Rot. 1 1/4"	CAT I A1	Not Available
DFDS-RV-1 3/4"				Rot. 1 3/4"		
DFDS-RV-2 1/4"				Rot. 2 1/4"		

