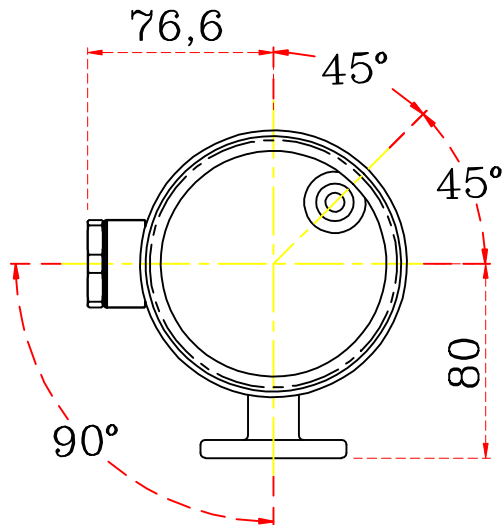
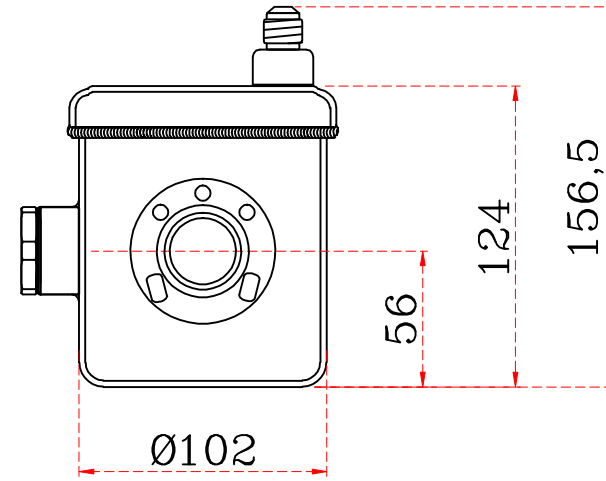
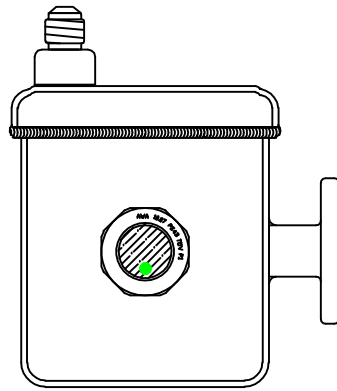
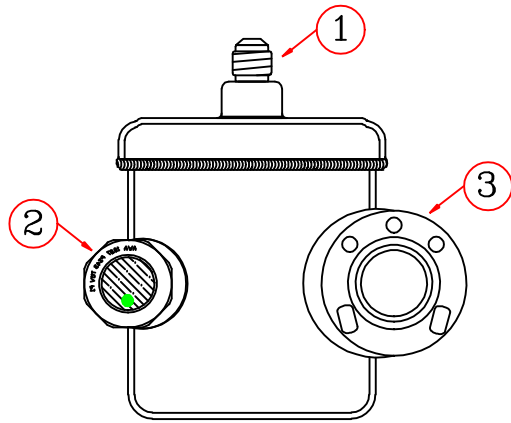


Item No	PART NAME	QTY
1	3/8" Flare (inlet)	1
2	Flansh x5	1
3	Sight Glass / SW36	1
4	Empty	0
5	Empty	0
6	Empty	0



GVN Refrigeration Components	
Cooler Fluid Type	R22,R134a,404A, R407C,R307A
Oil Pressure Differential	0,36 to 2,1
Operating Pressure	32 Bar.
Test Pressure	48 Bar.
Equipment Weight Kg.
In / Out	
Manufacture Year/...../.....
Serial No	

Product	Oil Level Regulator
Kod	OLR-04
Drawn By	Mustafa Demirci
Approved	Mustafa Demirci
Date	01.01.2010
CE - 97/23/EC	Page 4/4