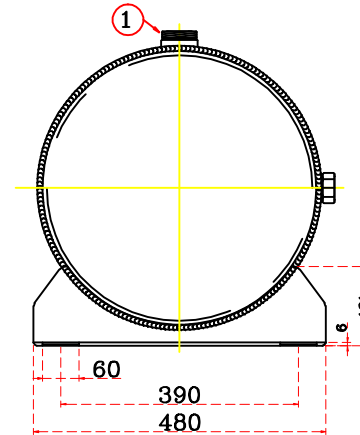
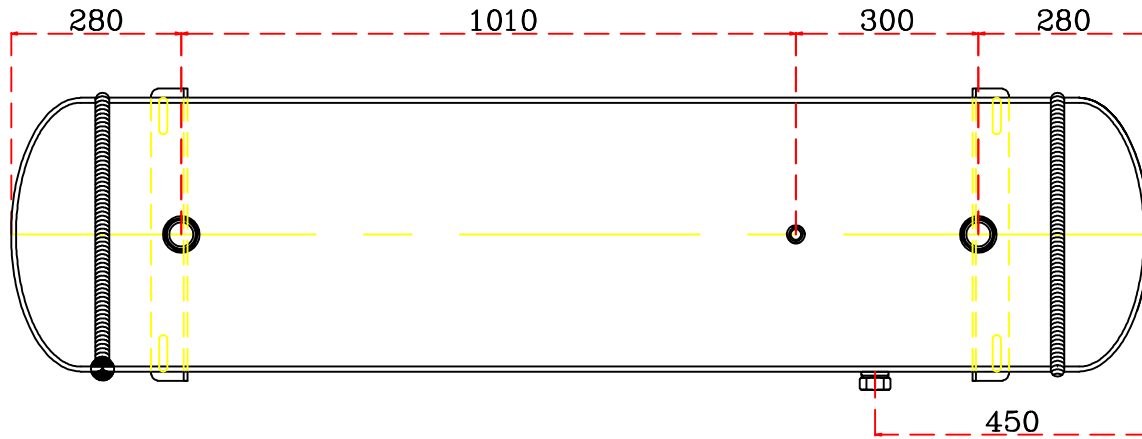
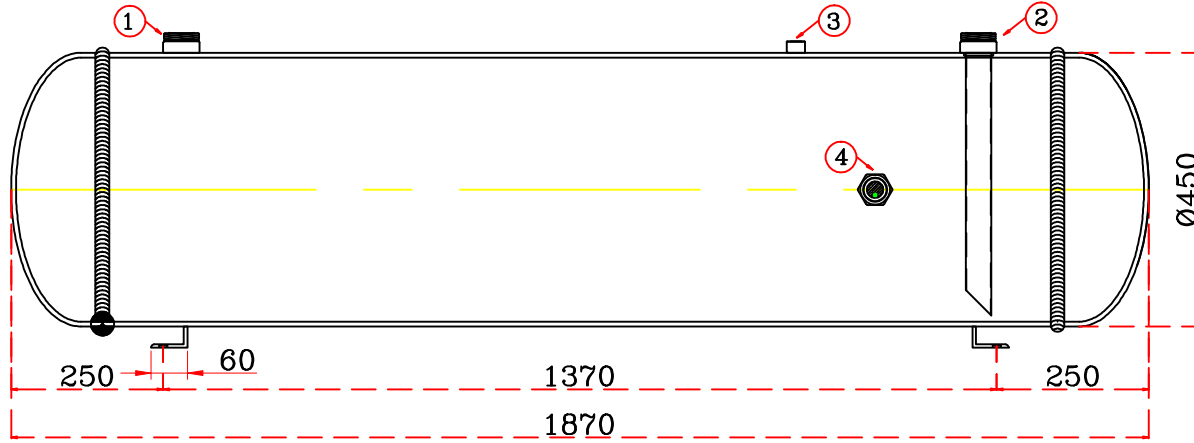


100 200 300 400 500 600 700 800 900 1000 1100 1200 1300 1400 1500 1600 1700

A
B
C
D
E
F
G
H
L
M
N
O

A
B
C
D
E
F
G
H
L
M
N
O



Item No	PART NAME	QTY
1	Rot.-2 1/4" (inlet)	1
2	Rot.-2 1/4" (Outlet)	1
3	1/2" Npt Connection	1
4	Sg-1 3/4" Sight Glass	1
5	Empty	0
6	Empty	0
7	Empty	0
8	Empty	0
9	Empty	0
10	Empty	0
11	Empty	0
12	Empty	0



GVN Refrigeration Components	
Cooler Fluid Type	R22,R134a,404A, R407C,R507A
Capacity	240 Lt.
Operating Pressure	32 Bar.
Test Pressure	48 Bar.
Equipment Weight Kg.
In / Out
Manufacture Year/...../.....
Serial No

Product	Horizontal Liquid Receiver	
Kod	HLR-11A-F/F-240x1	
Drawn By	Mustafa Demirci	
Approved	Mustafa Demirci	
Date	01.01.2010	
	CE - 97/23/EC	Page 6/6

100 200 300 400 500 600 700 800 900 1000