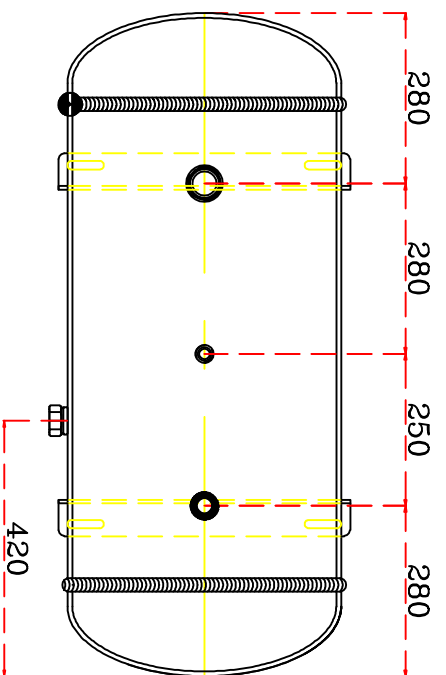
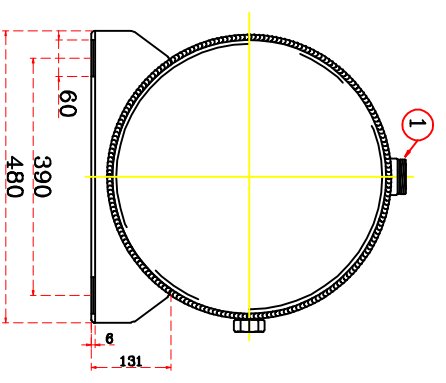
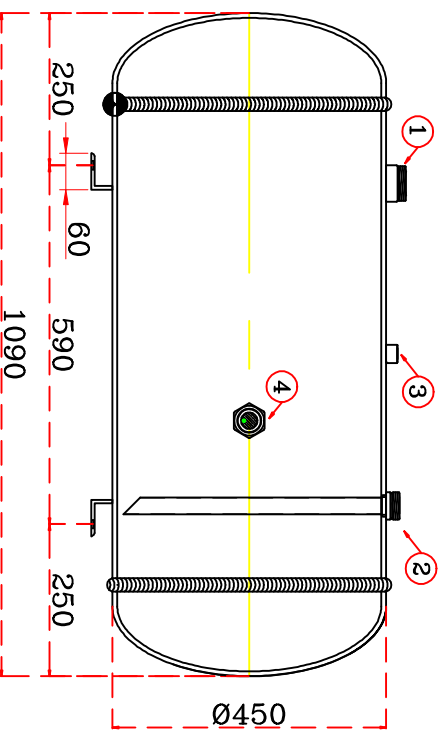


Item No	PART NAME	QTY
1	Rot.-2 1/4" (Inlet)	1
2	Rot.-1 3/4" (Outlet)	1
3	1/2" Npt Connection	1
4	Sg-1 3/4" Sight Glass	1
5	Empty	0
6	Empty	0
7	Empty	0
8	Empty	0
9	Empty	0
10	Empty	0
11	Empty	0
12	Empty	0



Refrigeration Components
R22/R134A/40A
R40C/R507A

Capacity	140 Lt.
Operating Pressure	32 Bar.
Test Pressure	48 Bar.
Equipment Weight Kg.
In / Out
Manufacture Year
Serial No



Horizontal
Liquid Receiver

Kod **HLR-11A-F/F-140X1**

Drewed By	Mustafa Demirdal
Approved	Mustafa Demirdal
Date	01.01.2010
Manufacture Year
Serial No

CE - 97/23/EC 1/6

100 200 300 400 500 600 700 800 900 1000 1100 1200 1300 1400 1500 1600 1700

A B C D E F G H I J K L M N

100 200 300 400 500 600 700 800 900 1000 1100 1200 1300 1400 1500 1600 1700

A B C D E F G H I J K L M N