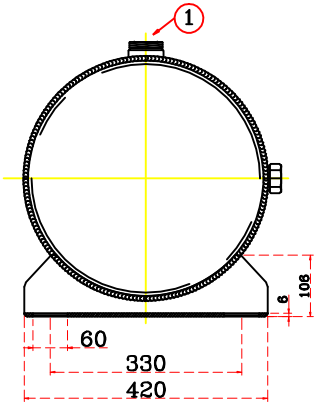


Item No	PART NAME	QTY
1	Rot.-2 1/4" (inlet)	1
2	Rot.-2 1/4" (Outlet)	1
3	1/2" Npt Connection	1
4	Sg-1 3/4" Sight Glass	1
5	Empty	0
6	Empty	0
7	Empty	0
8	Empty	0
9	Empty	0
10	Empty	0
11	Empty	0
12	Empty	0



GVN	
Refrigeration Components	
Cooler Fluid Type	R22,R134a,404A, R407C,R507A
Capacity	200 Lt.
Operating Pressure	32 Bar.
Test Pressure	48 Bar.
Equipment Weight Kg.
In / Out
Manufacture Year
Serial No

Product	Horizontal Liquid Receiver	
Kod	HLR-10A-F/F-200x1	
Drawn By	Mustafa Demirci	
Approved	Mustafa Demirci	
Date	01.01.2010	
	CE - 97/23/EC	6/6