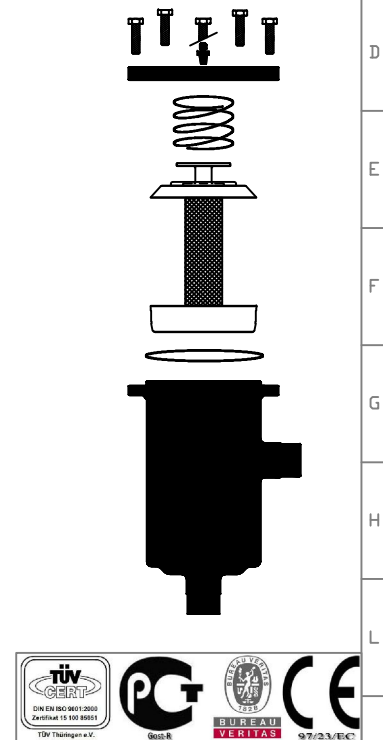


Item No	PART NAME	QTY
1	66mm - 2 5/8" (inlet) (Outlet)	2
2	Flansh 150x10mm	1
3	Flansh 150x13mm	1
4	¼" Subop	1
5	Screw - M8.8	8
6	Filter/Arc/Gasgets	Team



Cooler Fluid Type	R22,R134a,404A, R407C,R507A
Capacity	0 Lt.
Operating Pressure	32 Bar.
Test Pressure	48 Bar.
Equipment Weight	..... Kg.
In / Out	.....
Manufacture Year	...../...../.....
Serial No	.....

Product	H48 Filter Drier Shells Quadruple	
Kod	FFDS-66	
Drawn By	Mustafa Demirci	
Approved	Mustafa Demirci	
Date	01.01.2010	
	CE - 97/23/EC	Page 4/4